



TECHNICAL DATA

Input Voltage: DC 12V
 Input Current: 40mA Max
 Input Power: 1.5W
 Output Current: 10mA Max
 Output Power: 0.1W
 Dimming: Class 2, 0-10V DC 10mA Max
 Sinking Current: 10mA Max

Bluetooth Transmit: 200ft Max
 Radio Frequency: 2.4GHz ± 75MHz
 Bluetooth Version: 4.2
 Housing Material: UL 94-5VA,
 Indoor / Outdoor Use
 Detection Range: 50ft Max
 Mounting Height: 20ft Max
 Operating Temperature: -30°C to 55°C,
 -22°F to 131°F
 Storage Temperature: -30°C to 85°C,
 -22°F to 185°F
 IP Rating: IP66
 Color: White

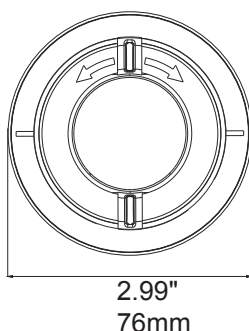
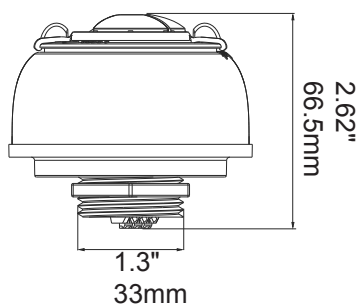
Comply to UL8750, UL1376, RoHS
 Safety: cULus Listed LED Controller

DESCRIPTIONS

- BMS-L107-PIR-DC-BLE-KL-CM is a Bluetooth Network remote mountable daylight harvesting and PIR motion sensor.
- The BMS-L107 can signal the BMWC-L103S fixture controller /power pack to switch connected loads on/off and dim the light level in response to daylight levels.
- BMWC-L103S and the sensor BMS-L107 connected via a low voltage cable.
- With a mounting recess adapter(Model#BMS-L107-CRA), the sensor could be easily installed to any ceiling.

PHYSICAL DIMENSIONS

Unit:inch/mm



1 inch US standard knockout

AMERICAN INCH PRODUCTS		
Size	T.P.I	Major Dia.
	inch	inch
M33	11	1.3

ORDERING INFORMATION

MODEL	DESCRIPTION
BMS-L107-PIR-DC-BLE-KL-CM	Bluetooth Network Wireless Ceiling Sensor Kit
BMS-L107-CRA	Ceiling recessed adapter
CB-22AWG-6FT	Power-limited Circuit Cable 22AWG Length 6.56ft * If need longer cable, it can be added in the field by others.



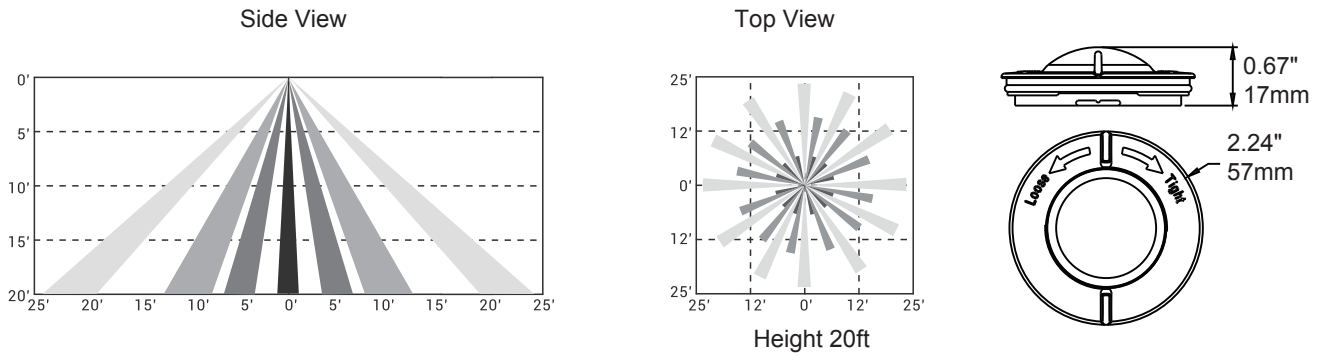
BMS-L107-CRA



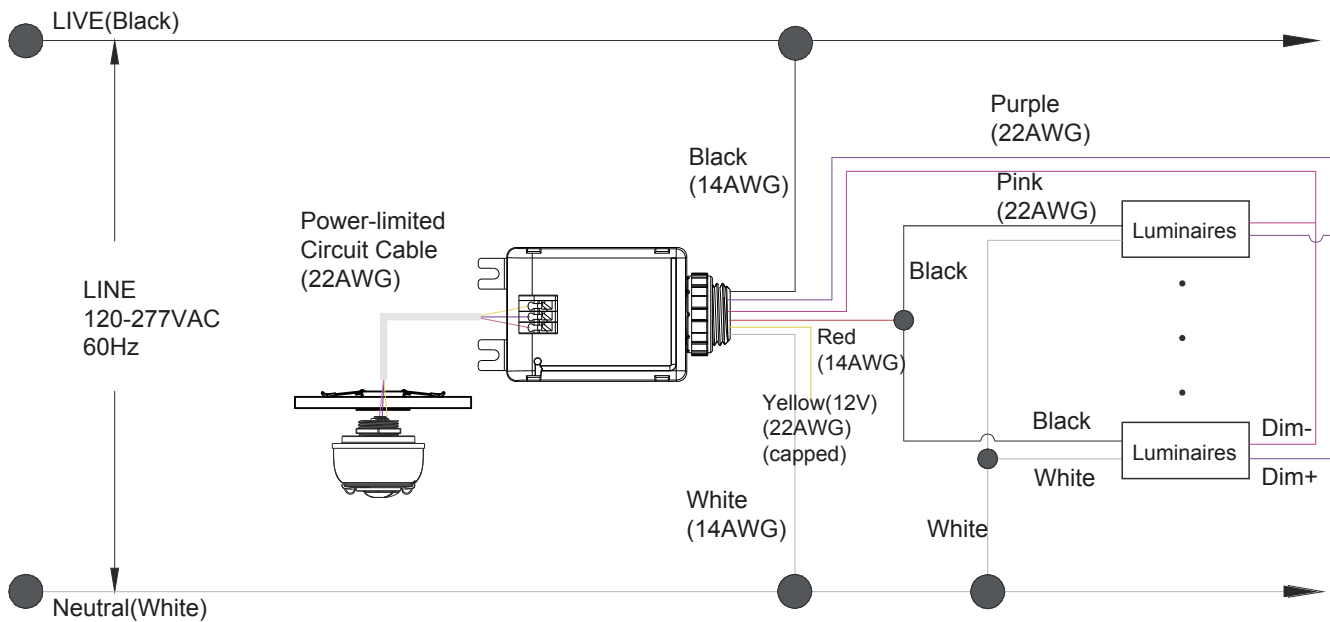
CB-22AWG-6FT

DETECTION AREA

Unit: inch/mm



WIRING DIAGRAM



WARRANTY

Five year limited warranty.

Specifications subject to change without notice.